

EH Series

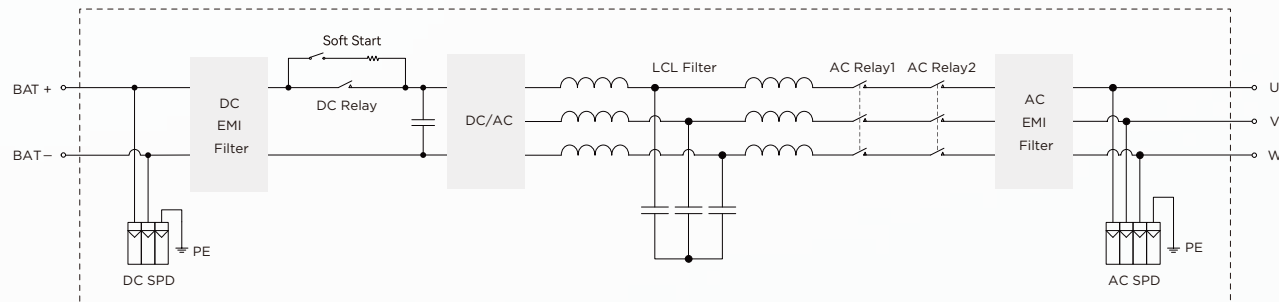
Power Conversion System (String PCS, 1500V)

Features

- Charge/discharge each cluster independently
- Safe and reliable IP66 protection
- Fast plug and play, easy expansion
- Modular design Philosophy
- C5M anti-corrosion grade
- No need advanced technical service personnel
- Parallel in AC side (Max. 40 set)
- Horizontal and vertical mounting thermal design
- Grid-forming/black start capability
- Higher battery capacity utilization



Circuit Diagram



Model	EH-0200-HA-M	EH-0215-HA-M
DC Parameters		
Max. DC voltage	1500V	
Max. DC current	224.5A	241.3A
Battery voltage range	1000~1500V	
Number of DC input	1	
AC parameters (On-Grid)		
AC output power	220kVA@35 , 200kVA@45	236.5kVA@35 , 215kVA@45
Nominal AC voltage	690V,3W+PE	
AC voltage range	607-759V (Adjustable)	
Max. AC output current	184.1A@35 , 167.4A@45	197.9A@35 , 179.9A@45
Nominal grid frequency	50/60Hz	
Harmonic (THDi)	<1.5% (100% load)	
Power Factor	-1~+1	
AC parameters (Off-Grid)		
Nominal AC voltage	690V,3W+PE	
AC voltage range	607-759V(Adjustable)	
AC voltage distortion	<1.5% (100% linear load)	
DC voltage component	<0.5% Un (Linear balance load)	
Unbalanced load capacity	100%	
Nominal grid frequency	50/60Hz	
General Data		
Isolation mode	Transformerless	
Max. efficiency	99%	
European efficiency	98.5%	
Ingress protection rating	IP66	
Operating temperature range	-40-+60 (>45 derating)	
Relative humidity	0-100% (no condensing)	
Max. altitude	4000m (>3000m derating)	
Cooling method	Forced air cooling	
Communication port	RS485/CAN/Ethernet	
Dimensions (W*D*H)	810×275×845mm	
Weight	98kg	