

# SP-120K-BL

## Three Phase PV Inverter/ 10 MPPTs

**Safe & Reliable**  
IP66 protection & C5 anti-corrosion rating  
Type II SPD, both DC & AC sides

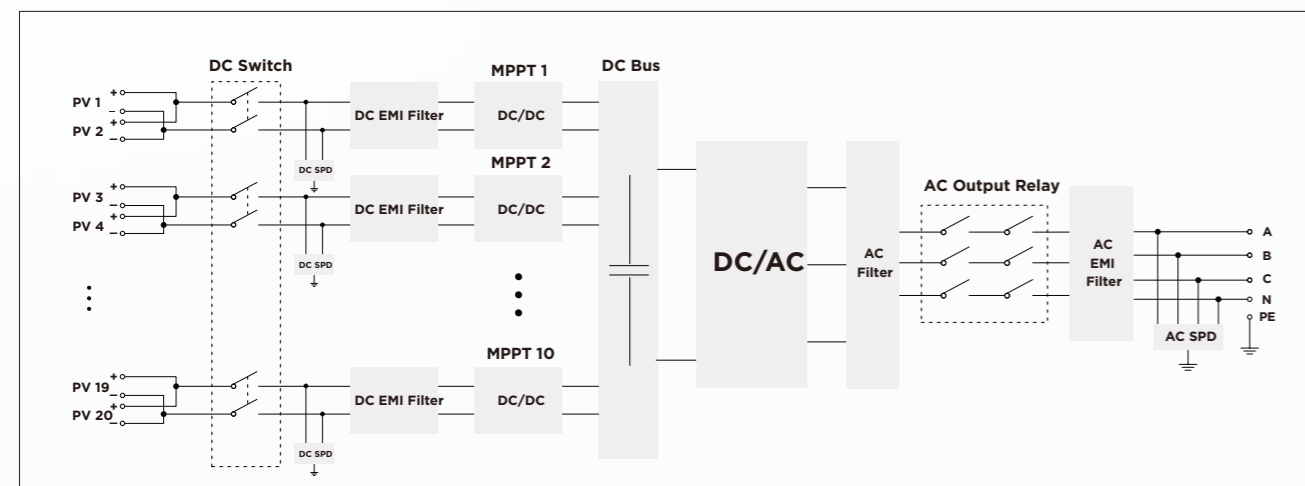
**High Yield**  
Built-in PID recovery function  
1.1 times continuous output overload

**High - Performance Management**  
Accurate string current detection  
Local & remote maintenance

**User - Friendly Design**  
Multiple LED lights display  
Quickly set up smart monitoring via APP



### Circuit Diagram



Model	SP-120K-BL
<b>Input (PV)</b>	
Max. PV input voltage	1100V
Recommended max. PV power (STC)	165kWp
Nominal PV input voltage	600V
MPPT operating voltage range	200V-1000V
Full power MPPT voltage range	520V-850V
Startup PV voltage	500V
Number of PV inputs	20 (10 MPPTs, 10*2)
Max. current per MPPT	30A
Max. short circuit current per MPPT	45A
<b>Output (grid)</b>	
Nominal output power	110kW
Max. output apparent power	121kVA@35 , 110kVA@45 , 100kVA@50
Max. output current	184A
Nominal grid voltage	3L/PE or 3L/N/PE, 230V/400V
Grid voltage range	320V-480V (According to the local standards)
Nominal grid frequency	50/60Hz
Power factor range	0.8leading-0.8lagging
Harmonic (THD)	3%
<b>Efficiency</b>	
Max. efficiency	98.80%
EU efficiency	98.50%
<b>General data</b>	
Display mode	LED
Communication port	RS485, WIFI/4G/Ethernet
Weight	85kg
Dimensions (W*H*D)	1018*630*339mm
Max. operating altitude	4000m (>3000m derating)
Cooling method	Smart fan cooling
Humidity	0-100%
Operating temperature	-25-60
Protection level	IP66
Topology	Transformerless
Self-consumption at night	< 3.5W
<b>Protection</b>	
Leakage current protection	Yes
Anti-island protection	Yes
DC reverse protection	Yes
AC short circuit protection	Yes
PV string current detection	Yes
PID recovery	Yes
Arc-fault circuit-interrupt	Optional
DC switch	Yes
Surge protection	DC II/AC II
Insulation monitoring	Yes
Over-voltage protection	AC III/DC II
IEC 62109-1/2, IEC61000-6, IEC62116, IEC61683, IEC61727, IEC60068, IEC61000-3, EN50549-1/2, VDE4105, C10/11, VDE0126, IEC61851-1, K CEI-0-21, NRS097, ,DEWA, PEA/MEA, BIS/CEA	