

SN100/110/125PT

Three Phase PV Inverters/ Up to 5 MPPTs

Safe & Reliable
 IP66 protection & C5 anti-corrosion rating
 Type II SPD, both DC & AC sides
 Built-in arc-fault circuit-interrupter

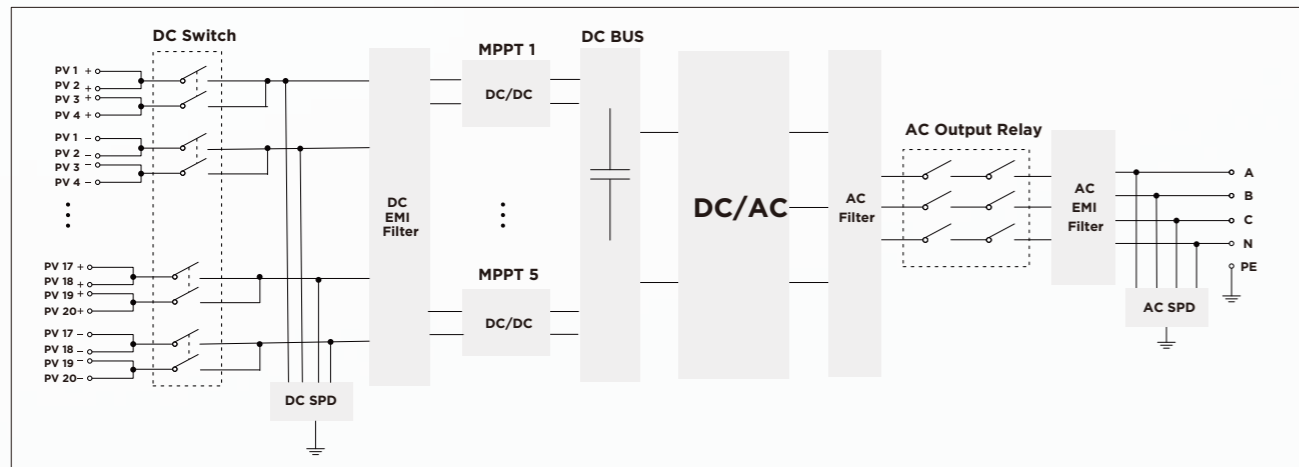
High Yield
 Built-in PID recovery function
 Compatible with bifacial PV modules
 1.1 times continuous output overload

High-Performance Management
 Accurate string current detection
 Integrated silicon carbide components
 Local & remote maintenance

User-Friendly Design
 Fuseless design-built in smart switch-disconnectors
 Compatible with Al and Cu AC cables
 Reversed battery terminal



Circuit Diagram



Model	SN100PT	SN110PT	SN125PT
Input (PV)			
Max. PV input voltage	1100V		
Recommended max. PV power (STC)	150kWp	165kWp	187.5kWp
Nominal PV input voltage	620V		
MPPT operating voltage range	200V-1000V		
Full power MPPT voltage range	550V-850V		
Startup PV voltage	250V		
Number of PV inputs	16 (4 MPPTs, 4/4/4/4)	20 (5 MPPTs, 4/4/4/4/4)	20 (5 MPPTs, 4/4/4/4/4)
Max. current per MPPT	64A/64A/64A/64A	64A/64A/64A/64A/64A	64A/64A/64A/64A/64A
Max. short circuit current per MPPT	100A/100A/100A/100A	100A/100A/100A/100A/100A	100A/100A/100A/100A/100A
Output (grid)			
Nominal output power	100kW	110kW	125kW
Max. output apparent power	110kVA@35 ,100kVA@45 ,90kVA@50	121kVA@35 ,110kVA@45 ,100kVA@50	137.5kVA@35 ,125kVA@45 ,110kVA@50
Max. output current	159.4A	175.4A	199.3A
Nominal grid voltage	3L/PE or 3L/N/PE, 230V/400V		
Grid voltage range	320V-480V (According to local standards)		
Nominal grid frequency	50/60Hz		
Power factor range	0.8leading-0.8lagging		
Harmonic (THD)	3%		
Efficiency			
Max. efficiency	99.00%		
EU efficiency	98.50%		
General data			
Display mode	LED, APP		
Communication port	RS485, WIFI/4G/Ethernet, PLC(optional)		
Weight	75kg		
Dimensions (W*H*D)	1022*750*362 mm		
Max. operating altitude	4000m(>3000m derating)		
Cooling method	Smart fan cooling		
Humidity	0-100%		
Operating temperature	-25-60		
Protection level	IP66		
Topology	Transformerless		
Self-consumption at night	< 3.5W		
Protection			
Leakage current protection	Yes		
Anti-island protection	Yes		
DC reverse protection	Yes		
AC short circuit protection	Yes		
PV string current detection	Yes		
PID recovery	Optional		
DC switch	Yes		
Arc-fault circuit-interrupter	Yes		
Surge protection	DC II/AC II		
Insulation monitoring	Yes		
Over-voltage protection	AC III/DC II		
IEC 62109-1/2, IEC61000-6, IEC62116, IEC61727, IEC61683, IEC61000-3, EN50549-1/2, VDE4105/4110/4120, C10/11, GB/T 18481, BIS/CEA, NRS097-2, KSC8565, TOR Type A&B, PTPIREE, MEA/PEA			